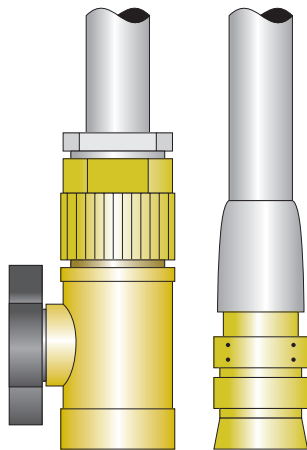




Facet MPak® oil water separator plate packs are selfcleaning, but under determined adverse conditions can become plugged with solids.

Considering these situations, the plate packs have been designed so that can be cleaned in place using the special cleaning wand and city water pressure. This device includes an ordinary connection of 1/2", topped with a small conical strainer that releases the cleaning holes.



### Guidelines For Using The Device

Although the plates are designed to be cleaned in situ, it is possible to remove the packages of plates for cleaning operations.

In both cases, before you start cleaning, you must stop the flow in the unit, remove the oil and drain the water.

In case you opt for in situ cleaning, connect the special cleaning device to a water hose pressure (60 psig at least).

After this, the next step is to open the water so that a stream in spray is produced and insert the end of the device slowly into each hole of the plate package, starting from the inlet side of the package.

As the water flushes the dirt out of the plate packs it should be removed by a vacuum system or transferred to an oil water sewer.

In case you opt for cleaning outside of the vessel, you must remove by using a crane the plate packs and other internal elements (except bolted-in internals). Flush with hose and clean, once cleaning is complete, return to their original position all the elements.

ITEM	DESCRIPTION
1	1/2" Hose
2	"Garden" hose shut-off valve
3	Special hose nozzle
4	Hose barbs
5	Water jets (typical)

Note: The spray wand produces a vigorous spray. Operators should wear waterproof clothing and goggles or face masks.