



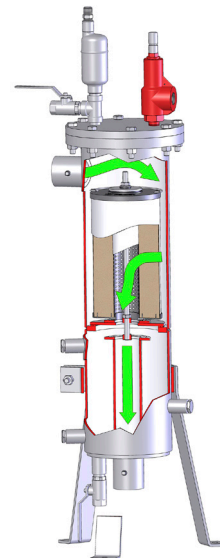
Facet's standard carbon steel FS Series SuperFlex™ housings are small economical housings that can be used as clay treaters, but at lower flow rates than our standard F Series housings.

Standard Housing Design

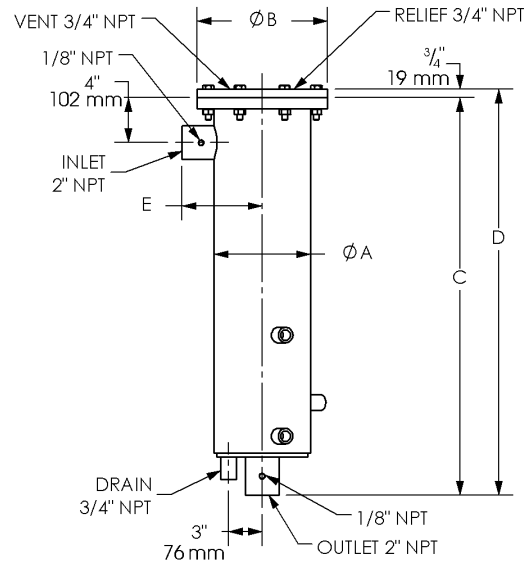
- Welded carbon steel construction—other materials available on request
- ASME Code, Section VIII construction, stamped and certified
- Design pressure: 250 psi @ 250 °F (17.2 bar @ 121 °C)
- Main closure: Blind Flange
- Head gasket: Buna-N—other materials available on request
- Vent connection: ¾" NPT
- Drain connection: ¾" 3000# NPT
- Inlet and outlet connections: 2" 3000# NPT
- Differential pressure gauge connection: ½" NPT
- Interior: Epoxy coated (EI 1541)
- Exterior: Prime coated

Options

- Automatic air eliminator
- Automatic air eliminator check valve
- Manual drain valve
- Pressure gauge assembly
- Pressure relief valve
- Sampling probes
- Adjustable support stand



FS Series SuperFlex™ Clay Treater Housings



DATA

MODEL NUMBER	JET FUEL		DIMENSIONS										WEIGHT		LIQUID VOLUME	
			A		B		C		D		E					
	gpm	lpm	in	mm	in	mm	in	mm	in	mm	in	mm	lbs	kg	gal	ltr
FS-2C-A	7	26	8 $\frac{5}{8}$	219	11 $\frac{1}{2}$	295	49 $\frac{7}{8}$	1267	50 $\frac{5}{8}$	1285	7 $\frac{1}{8}$	181	125	56	10	38
FS-3C-A	14	52	8 $\frac{5}{8}$	219	11 $\frac{1}{2}$	295	63 $\frac{3}{8}$	1620	64 $\frac{5}{8}$	1641	7 $\frac{1}{8}$	181	200	90	13	49

FS-2C-A will hold (1) C-766-4 Clay Canister
 FS-3C-A will hold (2) C-766-4 Clay Canisters