



BS Series filter housings use a Facet's stainless steel high efficiency basket strainer. A single pass of product through the system removes solids such as rust, dirt, scale, granules and other particles commonly found in liquid process streams.

Facet BS Series filter housings are available in several standard sizes to accommodate specific flow and filtration requirements. They are designed with no internal moving parts to provide easy service and reduced maintenance costs. Each housing is manufactured using quality materials and workmanship to give long-lasting, dependable service.

These housings are fitted with a cleanable basket made of stainless steel perforated plate with stainless steel mesh.

### Standard Design Features

- Body: Welded carbon steel construction, other materials available on request
- ASME Code, Section VIII construction, stamped and certified or "CE" marked
- Designed for 150 psi (10.5 kg/cm<sup>2</sup>) at 240°F (115°C); higher pressure and temperature ratings available on request
- Head closures: swing bolt closure
- Head gasket: Buna-N O-ring, other materials available on request
- Inlet and outlet permanently marked
- Exterior: Primer coated
- Interior: Epoxy coated
- Headlift furnished on 20" (508 mm) and larger

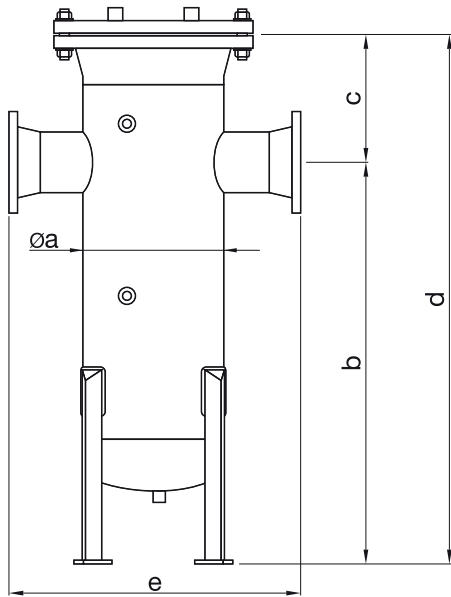
### Standard Connections

- Inlet and outlet: 150# RF (ANSI) flanged
- Side and bottom drain: 3000# NPT
- Vent and relief valve: 3/4" 3000# NPT
- Pressure gauge: 3/4" 3000# NPT

### Options

- Air eliminator
- Differential pressure gauge
- Pressure relief valve
- Manual drain valve
- Stainless steel wedge wire basket
- Thru bolts closure

# BS Series Basket Strainers



## DATA

MODEL NUMBER	$\varnothing a$		b		c		d		e	
	in	mm	in	mm	in	mm	in	mm	in	mm
BS-2	5½	140	11 <sup>13</sup> / <sub>16</sub>	300	5½	140	17¼	438	9¼	248
BS-3	6 <sup>5</sup> / <sub>8</sub>	168	16 <sup>11</sup> / <sub>32</sub>	415	6 <sup>13</sup> / <sub>16</sub>	175	23¼	590	16¾	425
BS-4	8 <sup>5</sup> / <sub>8</sub>	219	26¾	680	9½	241	36	914	20	508
BS-6	10¾	273	41 <sup>11</sup> / <sub>32</sub>	1050	10½	270	52	1320	22¾	580
BS-8	12¾	324	44 <sup>7</sup> / <sub>8</sub>	1140	13	330	57¾	1467	27	686
BS-10	14	356	51 <sup>1</sup> / <sub>5</sub>	1300	13¾	350	65	1651	28¼	720
BS-12	18	458	49¼	1251	15¼	389	64½	1638	33¼	845
BS-14	18	458	63	1620	150¾	400	79½	2020	34¼	870
BS-16	20	508	71½	1816	19¾	501	91	2311	36	914
BS-20	24	610	74¾	1899	23½	598	98½	2502	41¼	1060
BS-24	28	711	110¼	2800	31½	800	141¾	3600	48	1220

Other sizes available on request.